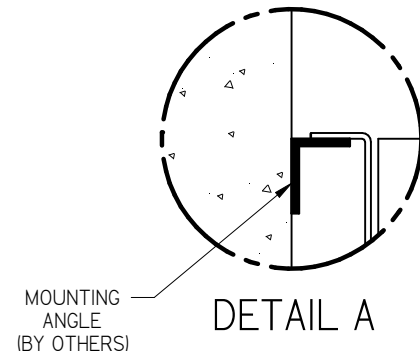
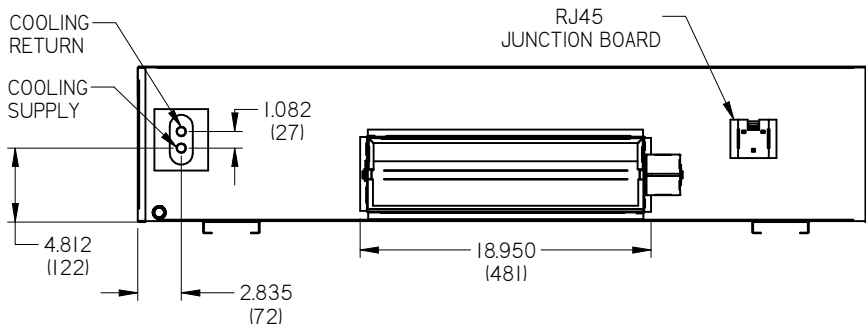
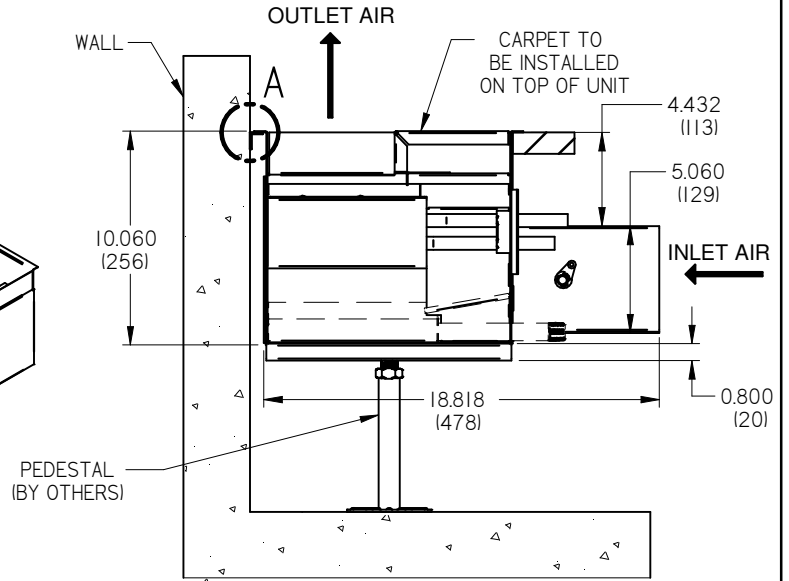
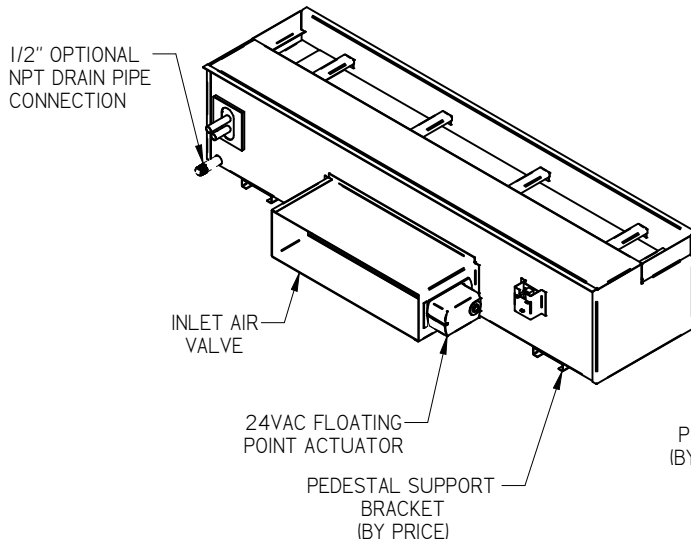


LCT - 2 PIPE



PLENUM:

- 16 GA STEEL CONSTRUCTION
- FINISH - B17 BLACK POWDER PAINT
- LFG WITH 1000 STYLE BORDER ORDERED SEPARATELY
- BLANK-OFF SECTION ORDERED SEPARATELY

COIL TYPE:

- 2 PIPE, 1 CIRCUIT

PLENUM DAMPER:

- COMES WITH 24VAC ACTUATOR DAISY CHAINED TOGETHER FOR SINGLE CONNECTION

NOTES:

- FACTORY TOLERANCE +/- 1/32" (1)
- SELF-SUPPORTING TROUGH, NOT TO BE STEPPED ON UNTIL THE RAISED FLOOR AND PERIMETER WALL HAS BEEN BUILT AROUND IT FOR LATERAL SUPPORT
- PEDESTAL AND PEDESTAL HEAD BY OTHERS

ROUGH OPENING NOM L X W	UNIT SIZE	PEDESTAL BRACKET QTY	GRILLE SIZE
<input type="checkbox"/> 48 X 12 (1219 X 305)	47 3/4 X 11 1/2 (1216 X 302)	2	47 3/4 X 5 3/4 (1213 X 146)
<input type="checkbox"/> 72 X 12 (1829 X 305)	71 7/8 X 11 1/2 (1826 X 302)	3	71 7/8 X 5 3/4 (1822 X 146)
<input type="checkbox"/> 1 96 X 12 (2438 X 305)	95 3/4 X 11 1/2 (2435 X 302)	4	95 3/4 X 5 3/4 (2432 X 146)
<input type="checkbox"/> 1 120 X 12 (3048 X 305)	119 7/8 X 11 1/2 (3045 X 302)	5	119 7/8 X 5 3/4 (3042 X 146)

NOTE: 1- COMES WITH 2 INLET AIR VALVE

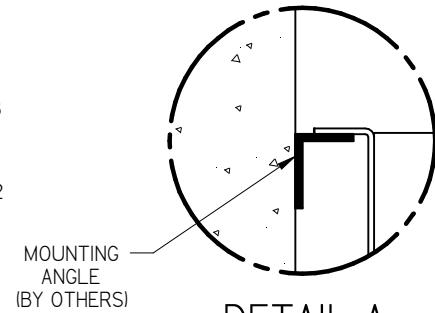
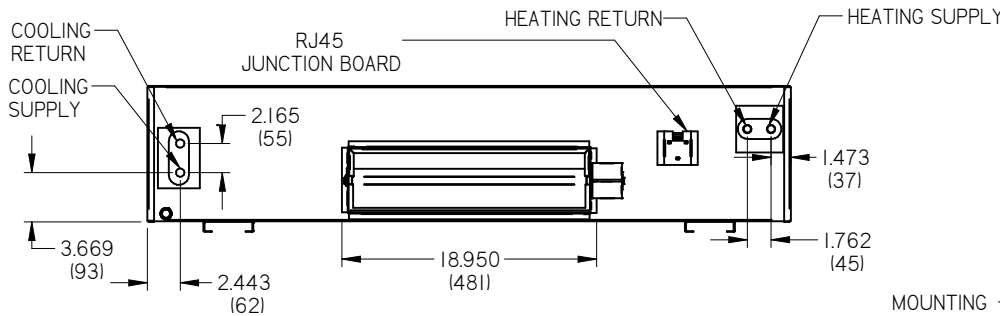
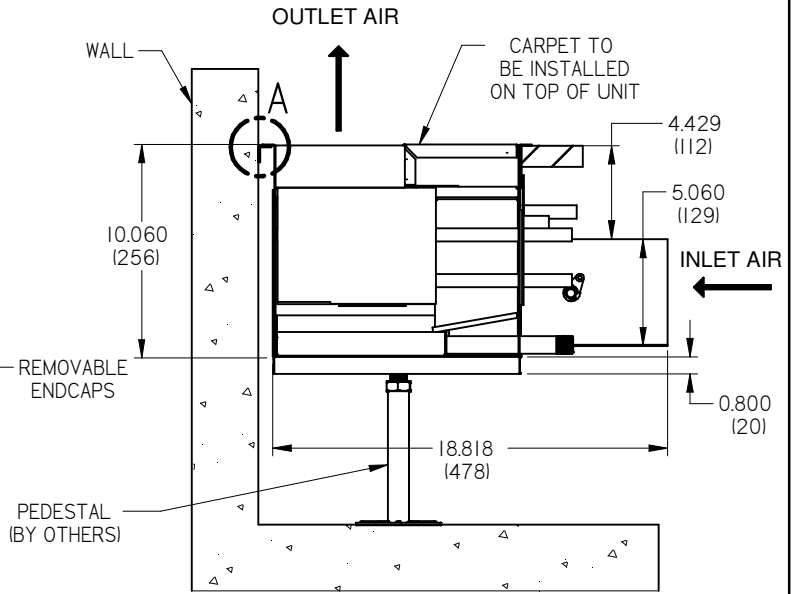
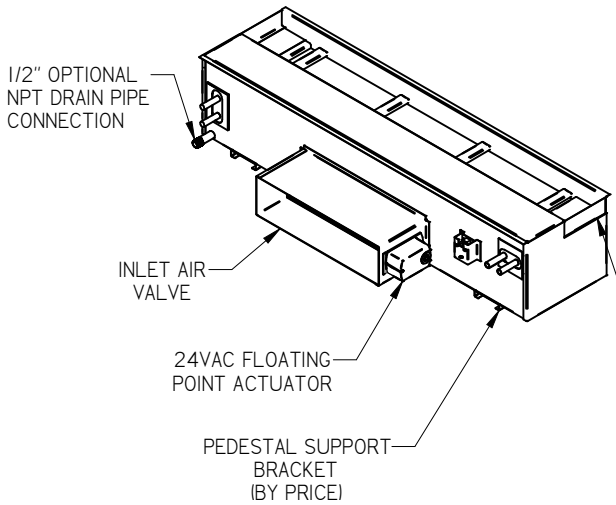
DRAIN PAN:

- STAINLESS STEEL DRAIN PAN

ALL METRIC DIMENSIONS () ARE SOFT CONVERTED. IMPERIAL DIMENSIONS ARE CONVERTED TO METRIC AND ROUNDED TO THE NEAREST MILLIMETER.

PROJECT:		PRICE
ENGINEER:		
CUSTOMER:		<i>PS</i>
SUBMITTAL DATE:		274150
SPEC. SYMBOL:		2022-03-01
		LCT HIGH CAPACITY HEATING/COOLING TERMINAL 2 PIPE

LCT - 4 PIPE



- PLENUM:**
- 16 GA STEEL CONSTRUCTION
 - FINISH - B17 BLACK POWDER PAINT
 - LFG WITH 1000 STYLE BORDER ORDERED SEPARATELY
 - BLANK-OFF SECTION ORDERED SEPARATELY

- COIL TYPE:**
- 4 PIPE, 3 CIRCUIT
 - (1 ROW HEATING 3 ROW COOLING)

- DRAIN PAN:**
- STAINLESS STEEL DRAIN PAN

- PLENUM DAMPER:**
- COMES WITH 24VAC ACTUATOR DAISY CHAINED TOGETHER FOR SINGLE CONNECTION

- NOTES:**
- FACTORY TOLERANCE +/- 1/32" (1)
 - SELF-SUPPORTING TROUGH, NOT TO BE STEPPED ON UNTIL THE RAISED FLOOR AND PERIMETER WALL HAS BEEN BUILT AROUND IT FOR LATERAL SUPPORT
 - PEDESTAL AND PEDESTAL HEAD BY OTHERS

ALL METRIC DIMENSIONS () ARE SOFT CONVERTED. IMPERIAL DIMENSIONS ARE CONVERTED TO METRIC AND ROUNDED TO THE NEAREST MILLIMETER.

	ROUGH OPENING NOM L X W	UNIT SIZE	PEDESTAL BRACKET QTY	GRILLE SIZE
<input type="checkbox"/>	48 X 12 (1219 X 305)	47 7/8 X 11 7/8 (1216 X 302)	2	47 3/4 X 5 3/4 (1213 X 146)
<input type="checkbox"/>	72 X 12 (1829 X 305)	71 7/8 X 11 7/8 (1826 X 302)	3	71 3/4 X 5 3/4 (1822 X 146)
<input type="checkbox"/>	1 96 X 12 (2438 X 305)	95 7/8 X 11 7/8 (2435 X 302)	4	95 3/4 X 5 3/4 (2432 X 146)
<input type="checkbox"/>	1 120 X 12 (3048 X 305)	119 7/8 X 11 7/8 (3045 X 302)	5	119 3/4 X 5 3/4 (3042 X 146)

NOTE: 1- COMES WITH 2 INLET AIR VALVE

PROJECT:		 LCT HIGH CAPACITY HEATING/COOLING TERMINAL 4 PIPE
ENGINEER:		
CUSTOMER:		
SUBMITTAL DATE:	SPEC. SYMBOL:	
		PS 274151 2022-03-01